



**SUBMITTAL DATA – WALL-MOUNTED  
LI012HO-160V433-T - LI012HI-160V433-T  
SINGLE ZONE MINI-SPLIT HEAT PUMP**

Job: \_\_\_\_\_  
Location: \_\_\_\_\_  
Schedule No.: \_\_\_\_\_  
System Designation: \_\_\_\_\_

Engineer: \_\_\_\_\_  
Architect: \_\_\_\_\_  
Date: \_\_\_\_\_

**FEATURES**

**Outdoor Unit: LI012HO-160V433-T  
Outdoor Unit Cat Number: 24J83**

**Indoor Unit: LI012HI-160V433-T  
Indoor Unit Cat Number: 24J80**



- 3 Meter Copper Pipe Included
- Gold Fin

- Auto Restart
- Emergency Control
- Louver position memory
- Hidden LED Display
- I Feel

**PIPING**

Line Set and Elevation Guidelines	
Maximum Line Set Length ft. (m)	32.8 ft. (10 m)
Maximum Elevation - Outdoor Unit Below/Above Indoor Unit ft. (m)	16.4 ft. (5 m)
Liquid Line Set Diameter (in.)	1/4"
Gas Line Set Diameter (in.)	3/8"

**PRODUCT WARRANTY**

5 Year Limited Warranty\*

**OPTIONAL ACCESORIES**

\_\_\_\_\_  
\_\_\_\_\_



**NOTE** – Due to Lennox' ongoing commitment to quality, Specifications, Ratings, and Dimensions are subject to change without notice and without incurring liability. Improper installation, adjustment, alteration, service or maintenance can cause property damage or personal injury. Installation and service must be performed by a qualified installer and servicing agency



**SUBMITTAL DATA – WALL-MOUNTED  
LI012HO-160V433-T - LI012HI-160V433-T  
SINGLE ZONE MINI-SPLIT HEAT PUMP**

**OUTDOOR SPECIFICATIONS**

PERFORMANCE	
Cooling Capacity (Btu/h)	12,000
EER(W/W)	2.81
SEER(BTUH/W)	16
Heating Capacity (Btu/h)	12,000
COP	3.01

Outdoor Fan Total Air Volume (CFM)	1000
Ambient Temperature Operating Range	
Cooling	64°F(18°C) - 109°F(43°C)
Heating	19.4°F(-7°C) - 109°F(43°C)

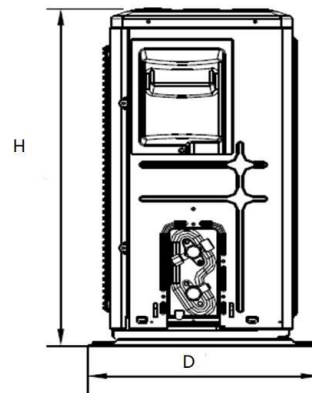
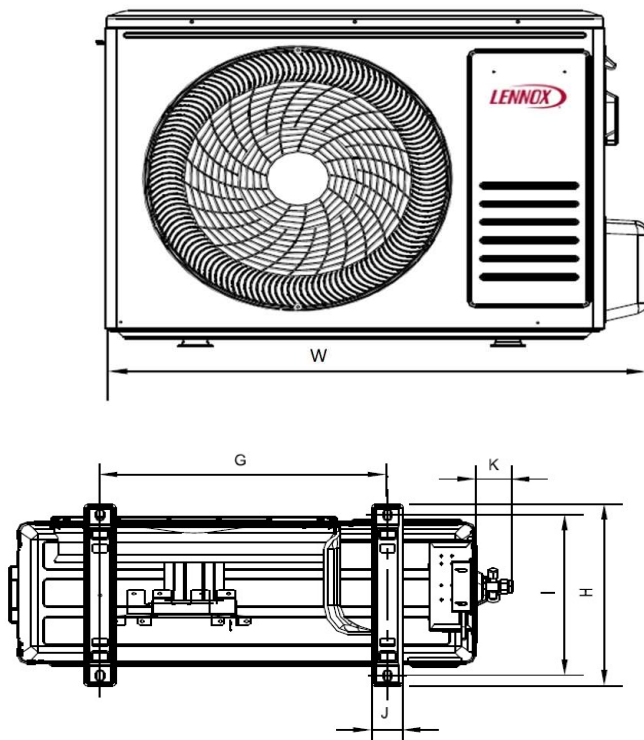
ELECTRICAL DATA	
Power Supply (V/Hz/ϕ)	115/60/1
Minimum Circuit Ampacity (A)	8
Maximum Overcurrent Protection (A)	25
Outdoor Fan Motor RLA (A)	0.15
Compressor RLA (A)	5.65
No. of Compressors	1

GENERAL DATA	
Connection Ratio (%)	100%
Max. # of Indoor Units	1
Sound Data (dBA) - Cooling/Heating	52
Refrigerant type	R-410A
Factory refrigerant charge	1.4 lbs. 22.6 oz.

DIMENSIONS		
Unit Dimensions (in)	Height	20
	Width	31
	Depth	11
Shipping Weight (lb)		55
Net Weight (lb)		49

**NOTES**  
1. Cooling and Heating Capacity data is rated at the following conditions:  
Cooling: 80°FDB / 67°FWB Indoor, 95°FDB/75°FWB Outdoor  
Heating: 68°FDB / 59°FWB Indoor, 44.6°FDB/ 42.8°FWB Outdoor

**OUTDOOR DIMENSIONAL DRAWINGS - INCHES (MM)**



Model	LI012HO-160V433-T	
	Inch	mm
W	30.59	777
D	11.42	290
H	19.61	498

**NOTE** – Due to Lennox' ongoing commitment to quality, Specifications, Ratings, and Dimensions are subject to change without notice and without incurring liability. Improper installation, adjustment, alteration, service or maintenance can cause property damage or personal injury. Installation and service must be performed by a qualified installer and servicing agency



**SUBMITTAL DATA – WALL-MOUNTED  
LI012HO-160V433-T - LI012HI-160V433-T  
SINGLE ZONE MINI-SPLIT HEAT PUMP**

**INDOOR SPECIFICATIONS**

**PERFORMANCE**

Airflow (CFM)	Turbo	/
	High	294
	Medium	241
	Low	188
External Static Pressure (in. w.g.)		-
Sound Pressure (dBA)	Turbo	/
	High	38
	Medium	34
	Low	30

**ELECTRICAL DATA**

Power Supply (V/Hz/φ)	115/60/1
Rated load amps (RLA)	0.345
Power Output (W)	20

**DIMENSIONS**

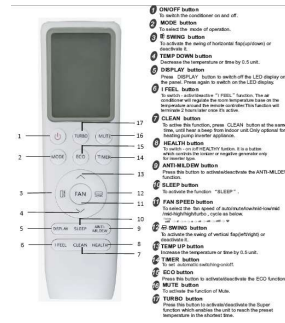
Unit Dimensions (in)	Height	8
	Width	31
	Depth	11
Unit Net/Shipping Weight (lb)		18/22

**WIRELESS REMOTE CONTROLLER SPECIFICATIONS**

**23X58**

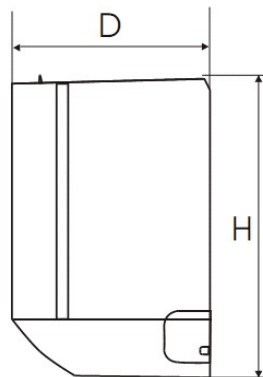
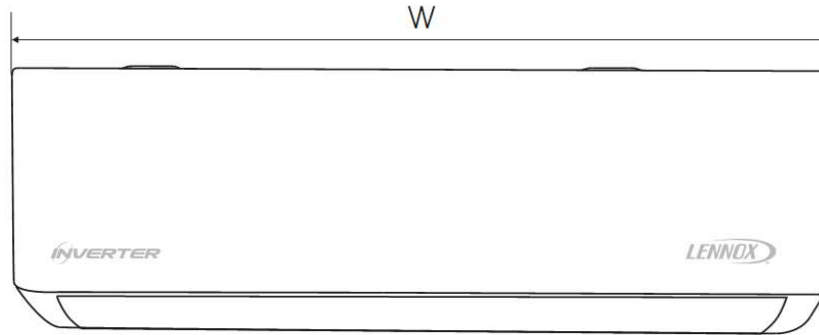
Power Supply	2 AAA Batteries (Included)
Setpoint Range	61°F(16°C) - 88°F(31°C)
Effective Receiving Range	20 ft.(6m)

**DISPLAY**



- 1. ON/OFF button: To switch the controller on and off.
- 2. MODE button: To switch the mode of operation.
- 3. E-SCREEN button: To activate the energy of automatic fan operation or to deactivate it.
- 4. TEMP DOWN button: To decrease the temperature in 0.5 unit.
- 5. DISPLAY button: Press the DISPLAY button to switch off the LED display on the remote controller. Press to switch on the LED display on the remote controller.
- 6. FAN SPEED button: To adjust the fan speed. Press the FAN SPEED button to adjust the fan speed. Press the FAN SPEED button to adjust the fan speed.
- 7. CLEAN button: To clean the remote controller. Press the CLEAN button of the remote controller. Press the CLEAN button of the remote controller.
- 8. SLEEP button: To activate the SLEEP function. Press the SLEEP button of the remote controller. Press the SLEEP button of the remote controller.
- 9. FAN button: To activate the FAN function. Press the FAN button of the remote controller. Press the FAN button of the remote controller.
- 10. FAN SPEED button: To adjust the fan speed. Press the FAN SPEED button of the remote controller. Press the FAN SPEED button of the remote controller.
- 11. SLEEP button: To activate the SLEEP function. Press the SLEEP button of the remote controller. Press the SLEEP button of the remote controller.
- 12. FAN button: To activate the FAN function. Press the FAN button of the remote controller. Press the FAN button of the remote controller.
- 13. FAN SPEED button: To adjust the fan speed. Press the FAN SPEED button of the remote controller. Press the FAN SPEED button of the remote controller.
- 14. SLEEP button: To activate the SLEEP function. Press the SLEEP button of the remote controller. Press the SLEEP button of the remote controller.
- 15. FAN button: To activate the FAN function. Press the FAN button of the remote controller. Press the FAN button of the remote controller.
- 16. FAN SPEED button: To adjust the fan speed. Press the FAN SPEED button of the remote controller. Press the FAN SPEED button of the remote controller.
- 17. SLEEP button: To activate the SLEEP function. Press the SLEEP button of the remote controller. Press the SLEEP button of the remote controller.
- 18. FAN button: To activate the FAN function. Press the FAN button of the remote controller. Press the FAN button of the remote controller.
- 19. FAN SPEED button: To adjust the fan speed. Press the FAN SPEED button of the remote controller. Press the FAN SPEED button of the remote controller.
- 20. SLEEP button: To activate the SLEEP function. Press the SLEEP button of the remote controller. Press the SLEEP button of the remote controller.
- 21. FAN button: To activate the FAN function. Press the FAN button of the remote controller. Press the FAN button of the remote controller.
- 22. FAN SPEED button: To adjust the fan speed. Press the FAN SPEED button of the remote controller. Press the FAN SPEED button of the remote controller.

**INDOOR DIMENSIONAL DRAWINGS - INCHES (MM)**



Model	LI012HI-160V433-T	
	Inch	mm
W	31.10	790
D	10.83	275
H	7.56	192

**NOTE** – Due to Lennox' ongoing commitment to quality, Specifications, Ratings, and Dimensions are subject to change without notice and without incurring liability. Improper installation, adjustment, alteration, service or maintenance can cause property damage or personal injury. Installation and service must be performed by a qualified installer and servicing agency



**SUBMITTAL DATA – WALL-MOUNTED  
LI012HO-160P433-T - LI012HI-160P433-T  
SINGLE ZONE MINI-SPLIT HEAT PUMP**

Job: \_\_\_\_\_  
Location: \_\_\_\_\_  
Schedule No.: \_\_\_\_\_  
System Designation: \_\_\_\_\_

Engineer: \_\_\_\_\_  
Architect: \_\_\_\_\_  
Date: \_\_\_\_\_

**FEATURES**

**Outdoor Unit: LI012HO-160P433-T  
Outdoor Unit Cat Number: 23U08**

**Indoor Unit: LI012HI-160P433-T  
Indoor Unit Cat Number: 23U07**



- 3 Meter Copper Pipe Included
- Gold Fin

- Auto Restart
- Emergency Control
- Louver position memory
- Hidden LED Display
- I Feel

**PIPING**

Line Set and Elevation Guidelines	
Maximum Line Set Length ft. (m)	32.8 ft. (10 m)
Maximum Elevation - Outdoor Unit Below/Above Indoor Unit ft. (m)	16.4 ft. (5 m)
Liquid Line Set Diameter (in.)	1/4"
Gas Line Set Diameter (in.)	3/8"

**PRODUCT WARRANTY**

5 Year Limited Warranty\*

**OPTIONAL ACCESORIES**



**NOTE** – Due to Lennox' ongoing commitment to quality, Specifications, Ratings, and Dimensions are subject to change without notice and without incurring liability. Improper installation, adjustment, alteration, service or maintenance can cause property damage or personal injury. Installation and service must be performed by a qualified installer and servicing agency



**SUBMITTAL DATA – WALL-MOUNTED  
LI012HO-160P433-T - LI012HI-160P433-T  
SINGLE ZONE MINI-SPLIT HEAT PUMP**

**OUTDOOR SPECIFICATIONS**

PERFORMANCE	
Cooling Capacity (Btu/h)	12,000
EER(W/W)	2.80
SEER(BTUH/W)	16
Heating Capacity (Btu/h)	12,000
COP	3.01

Outdoor Fan Total Air Volume (CFM)	1000
Ambient Temperature Operating Range	
Cooling	64°F(18°C) - 109°F(43°C)
Heating	19.4°F(-7°C) - 109°F(43°C)

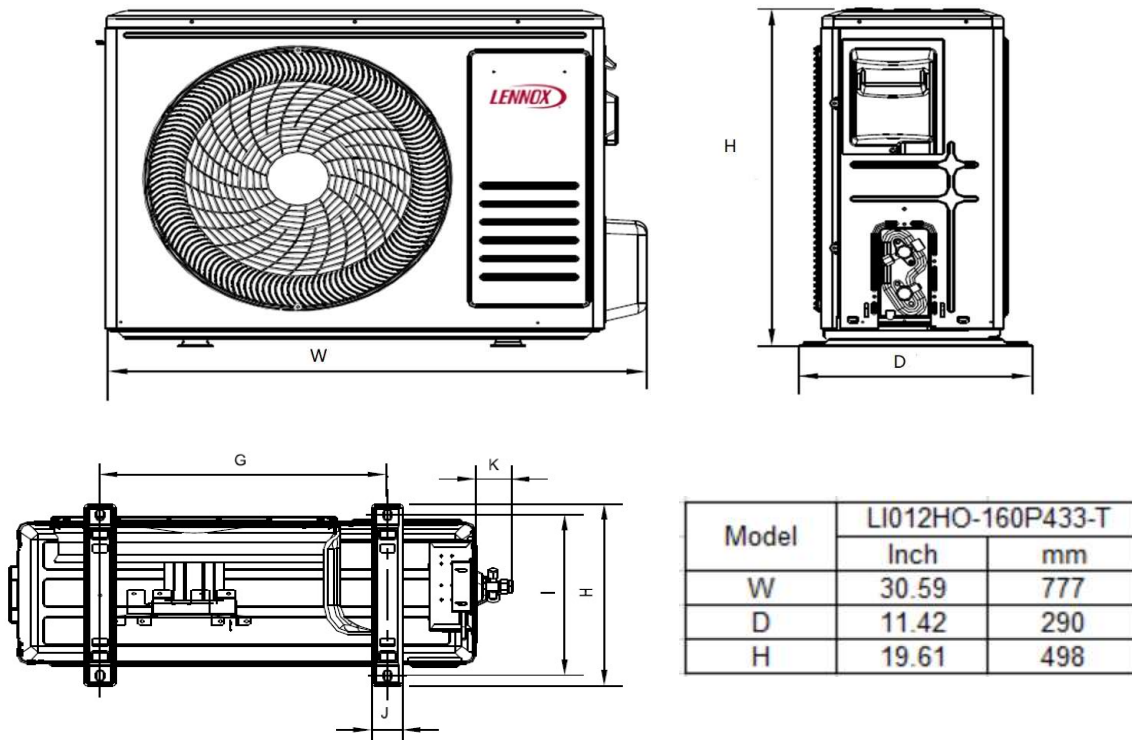
ELECTRICAL DATA	
Power Supply (V/Hz/ϕ)	208-230/60/1
Minimum Circuit Ampacity (A)	8
Maximum Overcurrent Protection (A)	15
Outdoor Fan Motor RLA (A)	0.15
Compressor RLA (A)	5.65
No. of Compressors	1

GENERAL DATA	
Connection Ratio (%)	100%
Max. # of Indoor Units	1
Sound Data (dBA) - Cooling/Heating	52
Refrigerant type	R-410A
Factory refrigerant charge	1.4 lbs. 22.6 oz.

DIMENSIONS		
Unit Dimensions (in)	Height	20
	Width	31
	Depth	11
Shipping Weight (lb)		55
Net Weight (lb)		49

**NOTES**  
1. Cooling and Heating Capacity data is rated at the following conditions:  
Cooling: 80°FDB / 67°FWB Indoor, 95°FDB/75°FWB Outdoor  
Heating: 68°FDB / 59°FWB Indoor, 44.6°FDB/ 42.8°FWB Outdoor

**OUTDOOR DIMENSIONAL DRAWINGS - INCHES (MM)**



**NOTE** – Due to Lennox' ongoing commitment to quality, Specifications, Ratings, and Dimensions are subject to change without notice and without incurring liability. Improper installation, adjustment, alteration, service or maintenance can cause property damage or personal injury. Installation and service must be performed by a qualified installer and servicing agency



**SUBMITTAL DATA – WALL-MOUNTED  
LI012HO-160P433-T - LI012HI-160P433-T  
SINGLE ZONE MINI-SPLIT HEAT PUMP**

**INDOOR SPECIFICATIONS**

**PERFORMANCE**

Airflow (CFM)	Turbo	/
	High	294
	Medium	241
	Low	188
External Static Pressure (in. w.g.)		-
Sound Pressure (dBA)	Turbo	/
	High	38
	Medium	34
	Low	30

**ELECTRICAL DATA**

Power Supply (V/Hz/ϕ)	208-230/60/1
Rated load amps (RLA)	0.154
Power Output (W)	14

**DIMENSIONS**

Unit Dimensions (in)	Height	8
	Width	31
	Depth	11
Unit Net/Shipping Weight (lb)		18/22

**WIRELESS REMOTE CONTROLLER SPECIFICATIONS**

**23X58**

Power Supply	2 AAA Batteries (Included)
--------------	-------------------------------

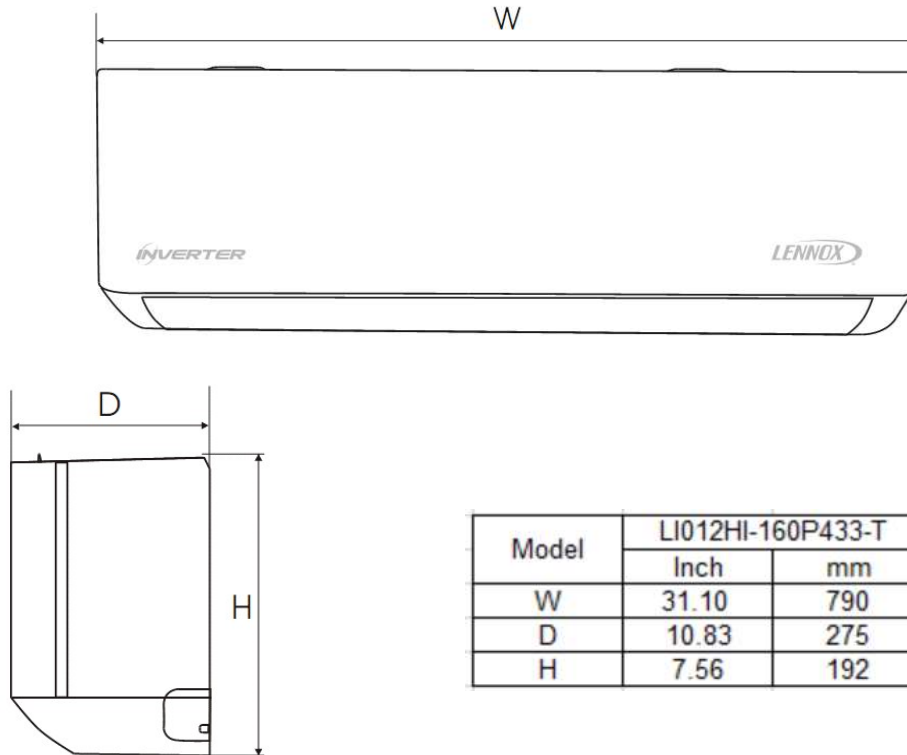
Setpoint Range	61°F(16°C) - 88°F(31°C)
----------------	-------------------------

Effective Receiving Range	20 ft.(6m)
---------------------------	------------

**DISPLAY**



**INDOOR DIMENSIONAL DRAWINGS - INCHES (MM)**



**NOTE** – Due to Lennox' ongoing commitment to quality, Specifications, Ratings, and Dimensions are subject to change without notice and without incurring liability. Improper installation, adjustment, alteration, service or maintenance can cause property damage or personal injury. Installation and service must be performed by a qualified installer and servicing agency



**SUBMITTAL DATA – WALL-MOUNTED  
LI018HO-160P433-T - LI018HI-160P433-T  
SINGLE ZONE MINI-SPLIT HEAT PUMP**

Job: \_\_\_\_\_  
Location: \_\_\_\_\_  
Schedule No.: \_\_\_\_\_  
System Designation: \_\_\_\_\_

Engineer: \_\_\_\_\_  
Architect: \_\_\_\_\_  
Date: \_\_\_\_\_

**FEATURES**

**Outdoor Unit: LI018HO-160P433-T  
Outdoor Unit Cat Number: 23U10**

**Indoor Unit: LI018HI-160P433-T  
Indoor Unit Cat Number: 23U09**



- 3 Meter Copper Pipe Included
- Gold Fin

- Auto Restart
- Emergency Control
- Louver position memory
- Hidden LED Display
- I Feel

**PIPING**

Line Set and Elevation Guidelines	
Maximum Line Set Length ft. (m)	49.2 ft. (15 m)
Maximum Elevation - Outdoor Unit Below/Above Indoor Unit ft. (m)	16.4 ft. (5 m)
Liquid Line Set Diameter (in.)	1/4"
Gas Line Set Diameter (in.)	3/8"

**PRODUCT WARRANTY**

5 Year Limited Warranty\*  
\_\_\_\_\_  
\_\_\_\_\_

**OPTIONAL ACCESORIES**

\_\_\_\_\_  
\_\_\_\_\_



**NOTE** – Due to Lennox' ongoing commitment to quality, Specifications, Ratings, and Dimensions are subject to change without notice and without incurring liability. Improper installation, adjustment, alteration, service or maintenance can cause property damage or personal injury. Installation and service must be performed by a qualified installer and servicing agency



**SUBMITTAL DATA – WALL-MOUNTED  
LI018HO-160P433-T - LI018HI-160P433-T  
SINGLE ZONE MINI-SPLIT HEAT PUMP**

**OUTDOOR SPECIFICATIONS**

PERFORMANCE	
Cooling Capacity (Btu/h)	18,000
EER(W/W)	2.82
SEER(BTUH/W)	17
Heating Capacity (Btu/h)	18,000
COP	3.07

Outdoor Fan Total Air Volume (CFM)	1530
Ambient Temperature Operating Range	
Cooling	64°F(18°C) - 109°F(43°C)
Heating	19.4°F(-7°C) - 109°F(43°C)

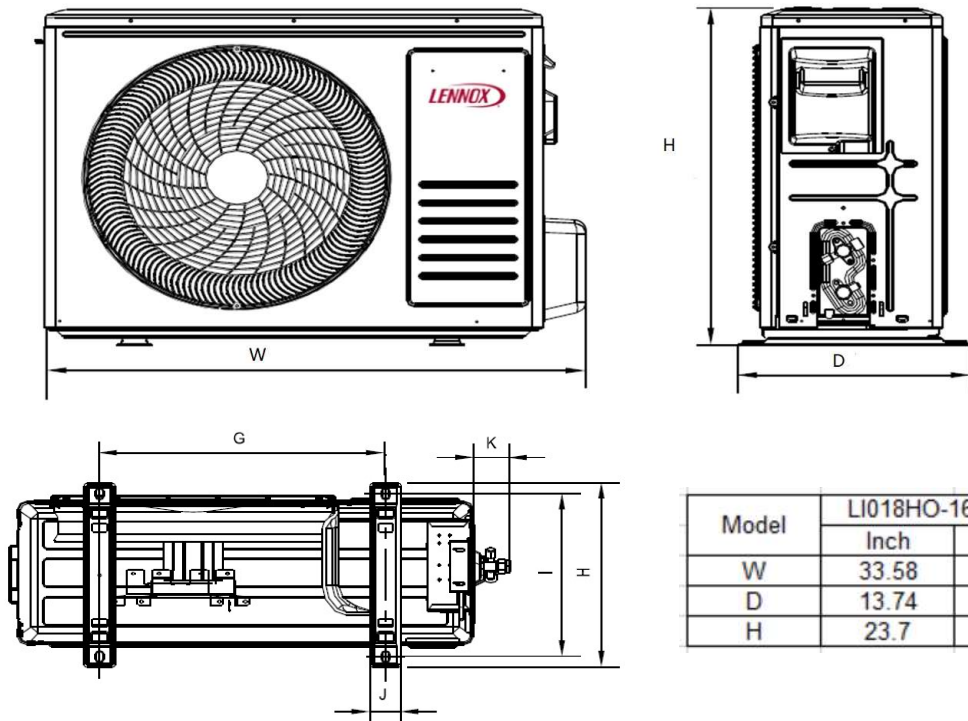
ELECTRICAL DATA	
Power Supply (V/Hz/ϕ)	208-230/60/1
Minimum Circuit Ampacity (A)	9
Maximum Overcurrent Protection (A)	25
Outdoor Fan Motor RLA (A)	0.15
Compressor RLA (A)	6.8
No. of Compressors	1

GENERAL DATA	
Connection Ratio (%)	100%
Max. # of Indoor Units	1
Sound Data (dBA) - Cooling/Heating	52
Refrigerant type	R-410A
Factory refrigerant charge	2.33 lbs. 37.39 oz.

DIMENSIONS		
Unit Dimensions (in)	Height	24
	Width	34
	Depth	14
Shipping Weight (lb)		71
Net Weight (lb)		62

**NOTES**  
1. Cooling and Heating Capacity data is rated at the following conditions:  
Cooling: 80°FDB / 67°FWB Indoor, 95°FDB/75°FWB Outdoor  
Heating: 68°FDB / 59°FWB Indoor, 44.6°FDB/ 42.8°FWB Outdoor

**OUTDOOR DIMENSIONAL DRAWINGS - INCHES (MM)**



Model	LI018HO-160P433-T	
	Inch	mm
W	33.58	853
D	13.74	349
H	23.7	602

**NOTE** – Due to Lennox' ongoing commitment to quality, Specifications, Ratings, and Dimensions are subject to change without notice and without incurring liability. Improper installation, adjustment, alteration, service or maintenance can cause property damage or personal injury. Installation and service must be performed by a qualified installer and servicing agency





**SUBMITTAL DATA – WALL-MOUNTED  
LI018HO-160P433-T - LI018HI-160P433-T  
SINGLE ZONE MINI-SPLIT HEAT PUMP**

**INDOOR SPECIFICATIONS**

**PERFORMANCE**

Airflow (CFM)	Turbo	/
	High	559
	Medium	506
	Low	453
External Static Pressure (in. w.g.)		-
Sound Pressure (dBA)	Turbo	/
	High	43
	Medium	38
	Low	33

**ELECTRICAL DATA**

Power Supply (V/Hz/ϕ)	208-230/60/1
Rated load amps (RLA)	0.3
Power Output (W)	25

**DIMENSIONS**

Unit Dimensions (in)	Height	8
	Width	36
	Depth	12
Unit Net/Shipping Weight (lb)		23/30

**WIRELESS REMOTE CONTROLLER SPECIFICATIONS**

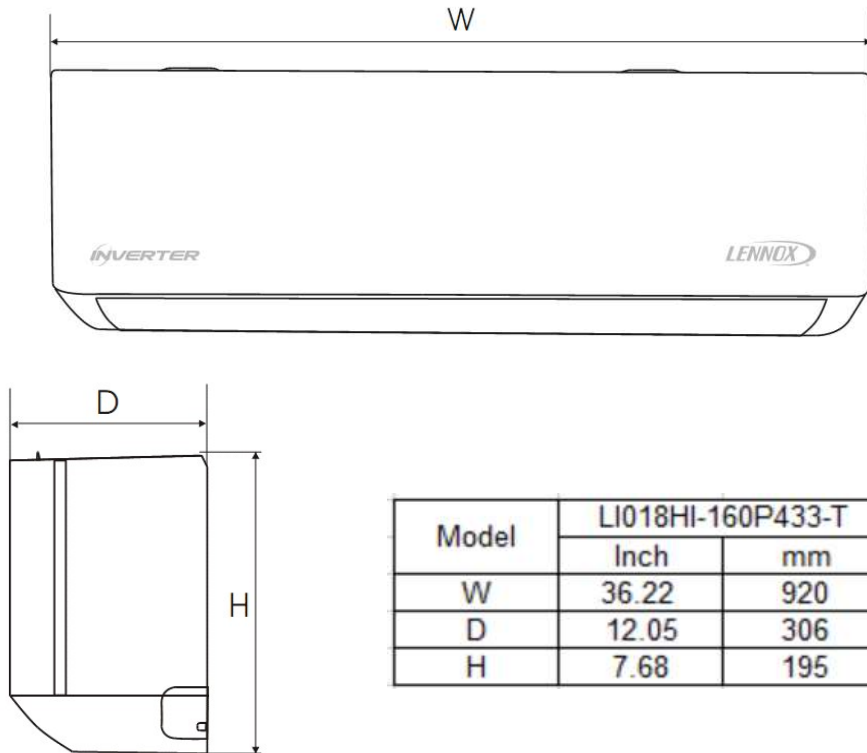
**23X58**

Power Supply	2 AAA Batteries (Included)
Setpoint Range	61°F(16°C) - 88°F(31°C)
Effective Receiving Range	20 ft.(6m)

**DISPLAY**



**INDOOR DIMENSIONAL DRAWINGS - INCHES (MM)**



**NOTE** – Due to Lennox' ongoing commitment to quality, Specifications, Ratings, and Dimensions are subject to change without notice and without incurring liability. Improper installation, adjustment, alteration, service or maintenance can cause property damage or personal injury. Installation and service must be performed by a qualified installer and servicing agency



**SUBMITTAL DATA – WALL-MOUNTED  
LI024HO-160P433-T - LI024HI-160P433-T  
SINGLE ZONE MINI-SPLIT HEAT PUMP**

Job: \_\_\_\_\_  
Location: \_\_\_\_\_  
Schedule No.: \_\_\_\_\_  
System Designation: \_\_\_\_\_

Engineer: \_\_\_\_\_  
Architect: \_\_\_\_\_  
Date: \_\_\_\_\_

**FEATURES**

**Outdoor Unit: LI024HO-160P433-T**  
**Outdoor Unit Cat Number: 23U12**

**Indoor Unit: LI024HI-160P433-T**  
**Indoor Unit Cat Number: 23U11**



- 3 Meter Copper Pipe Included
- Gold Fin

- Auto Restart
- Emergency Control
- Louver position memory
- Hidden LED Display
- I Feel

**PIPING**

**Line Set and Elevation Guidelines**

Maximum Line Set Length ft. (m)	49.2 ft. (15 m)
Maximum Elevation - Outdoor Unit Below/Above Indoor Unit ft. (m)	16.4 ft. (5 m)
Liquid Line Set Diameter (in.)	1/4"
Gas Line Set Diameter (in.)	1/2"

**PRODUCT WARRANTY**

5 Year Limited Warranty\*

**OPTIONAL ACCESORIES**



**NOTE** – Due to Lennox’ ongoing commitment to quality, Specifications, Ratings, and Dimensions are subject to change without notice and without incurring liability. Improper installation, adjustment, alteration, service or maintenance can cause property damage or personal injury. Installation and service must be performed by a qualified installer and servicing agency



**SUBMITTAL DATA – WALL-MOUNTED  
LI024HO-160P4333-T - LI024HI-160P433-T  
SINGLE ZONE MINI-SPLIT HEAT PUMP**

**OUTDOOR SPECIFICATIONS**

PERFORMANCE	
Cooling Capacity (Btu/h)	24,000
EER(W/W)	2.81
SEER(BTUH/W)	16
Heating Capacity (Btu/h)	24,000
COP	2.81

Outdoor Fan Total Air Volume (CFM)	1883
Ambient Temperature Operating Range	
Cooling	64°F(18°C) - 109°F(43°C)
Heating	19.4°F(-7°C) - 109°F(43°C)

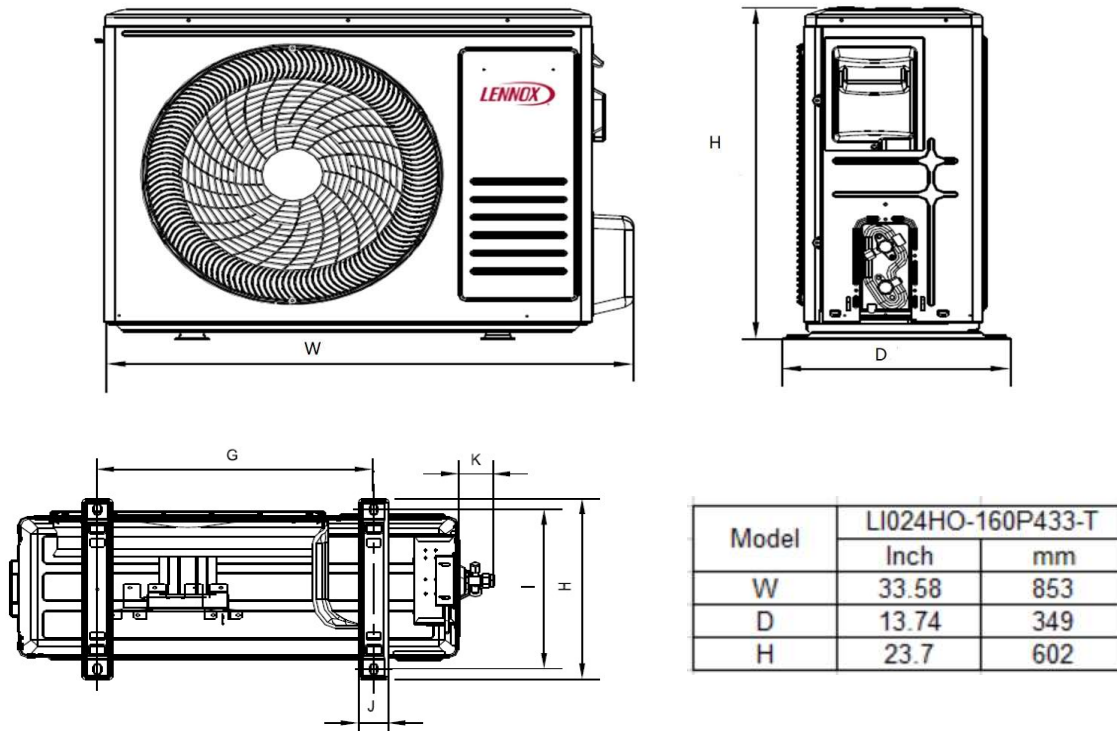
ELECTRICAL DATA	
Power Supply (V/Hz/ϕ)	208-230/60/1
Minimum Circuit Ampacity (A)	9
Maximum Overcurrent Protection (A)	25
Outdoor Fan Motor RLA (A)	0.15
Compressor RLA (A)	6.8
No. of Compressors	1

GENERAL DATA	
Connection Ratio (%)	100%
Max. # of Indoor Units	1
Sound Data (dBA) - Cooling/Heating	55
Refrigerant type	R-410A
Factory refrigerant charge	2.98 lbs. 47.62 oz.

DIMENSIONS		
Unit Dimensions (in)	Height	24
	Width	34
	Depth	14
Shipping Weight (lb)		75
Net Weight (lb)		66

**NOTES**  
1. Cooling and Heating Capacity data is rated at the following conditions:  
Cooling: 80°FDB / 67°FWB Indoor, 95°FDB/75°FWB Outdoor  
Heating: 68°FDB / 59°FWB Indoor, 44.6°FDB/ 42.8°FWB Outdoor

**OUTDOOR DIMENSIONAL DRAWINGS - INCHES (MM)**



**NOTE** – Due to Lennox' ongoing commitment to quality, Specifications, Ratings, and Dimensions are subject to change without notice and without incurring liability. Improper installation, adjustment, alteration, service or maintenance can cause property damage or personal injury. Installation and service must be performed by a qualified installer and servicing agency



**SUBMITTAL DATA – WALL-MOUNTED  
LI024HO-160P4333-T - LI024HI-160P433-T  
SINGLE ZONE MINI-SPLIT HEAT PUMP**

**INDOOR SPECIFICATIONS**

**PERFORMANCE**

Airflow (CFM)	Turbo	/
	High	795
	Medium	742
	Low	689
External Static Pressure (in. w.g.)		-
Sound Pressure (dBA)	Turbo	/
	High	49
	Medium	45
	Low	41

**ELECTRICAL DATA**

Power Supply (V/Hz/φ)	208-230/60/1
Rated load amps (RLA)	0.2
Power Output (W)	45

**DIMENSIONS**

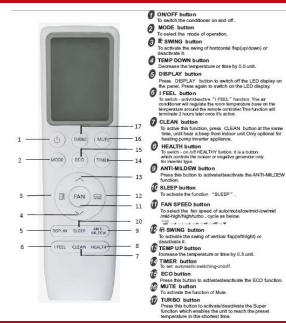
Unit Dimensions (in)	Height	9
	Width	43
	Depth	13
Unit Net/Shipping Weight (lb)		31/37

**WIRELESS REMOTE CONTROLLER SPECIFICATIONS**

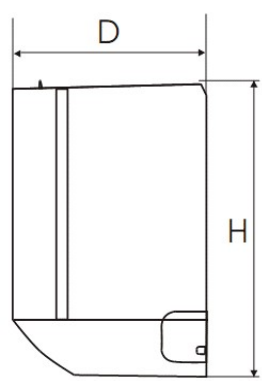
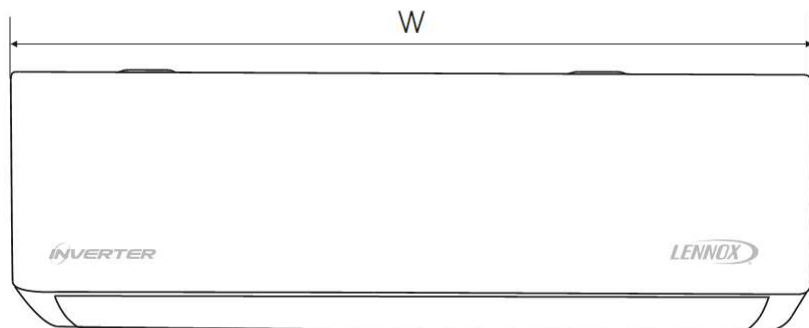
**23X58**

Power Supply	2 AAA Batteries (Included)
Setpoint Range	61°F(16°C) - 88°F(31°C)
Effective Receiving Range	20 ft.(6m)

**DISPLAY**



**INDOOR DIMENSIONAL DRAWINGS - INCHES (MM)**



Model	LI024HI-160P433-T	
	Inch	mm
W	43.31	1100
D	13.11	333
H	8.74	222

**NOTE** – Due to Lennox' ongoing commitment to quality, Specifications, Ratings, and Dimensions are subject to change without notice and without incurring liability. Improper installation, adjustment, alteration, service or maintenance can cause property damage or personal injury. Installation and service must be performed by a qualified installer and servicing agency